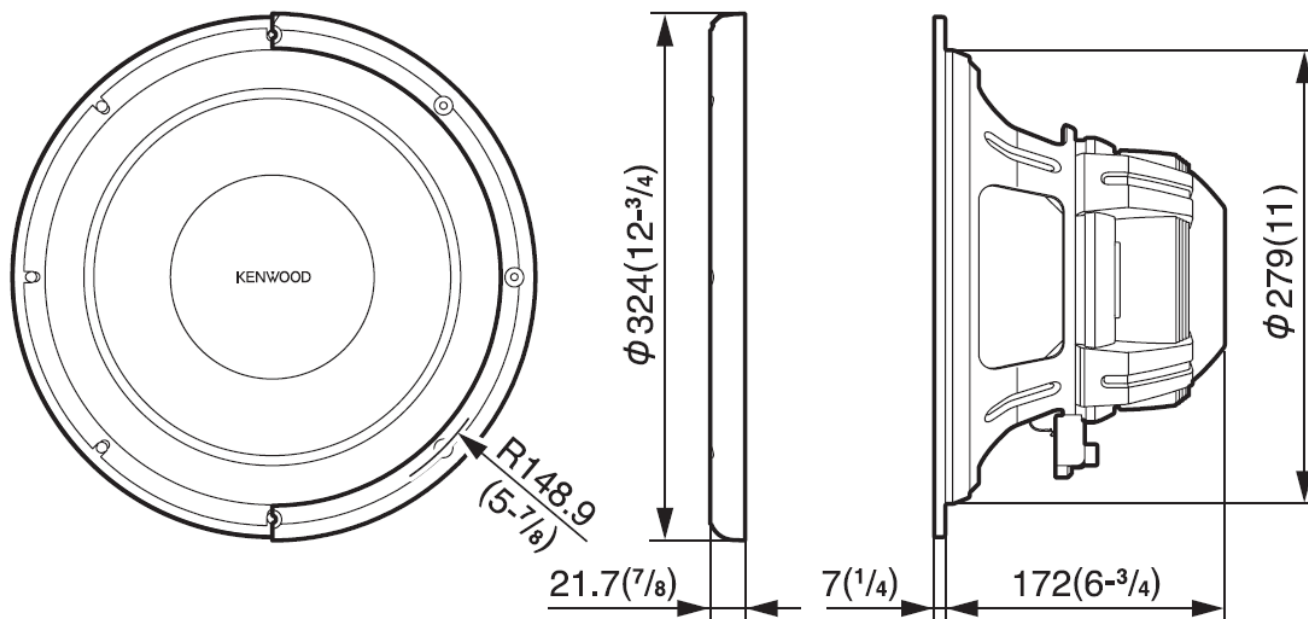


KFC-W3514DVC

Specifications

Subwoofer	300 mm (12") Titanium coated cone
Nominal Impedance	4 Ω + 4 Ω (Dual voice coil)
Peak Input Power	1,500 W
Rated Input Power	380 W
Sensitivity	93 dB/W at 1 m
Free Air Resonance	37.2 Hz
Frequency Response	25 - 800 Hz
Net Weight	5,980 g

Dimensions

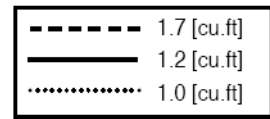
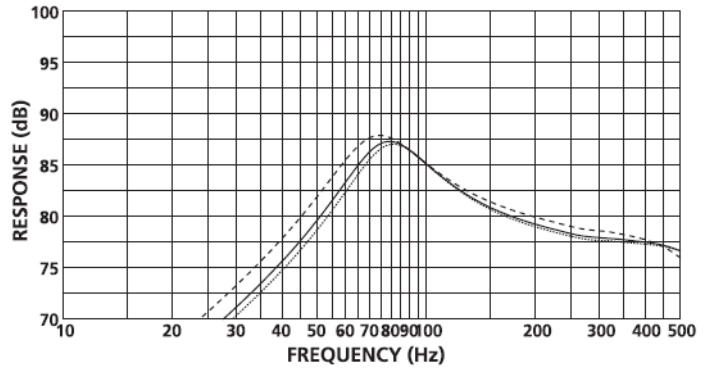
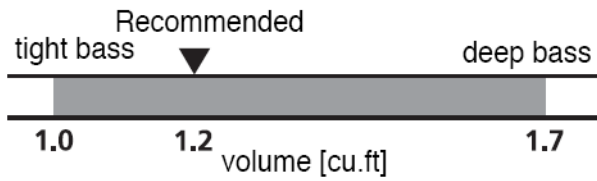
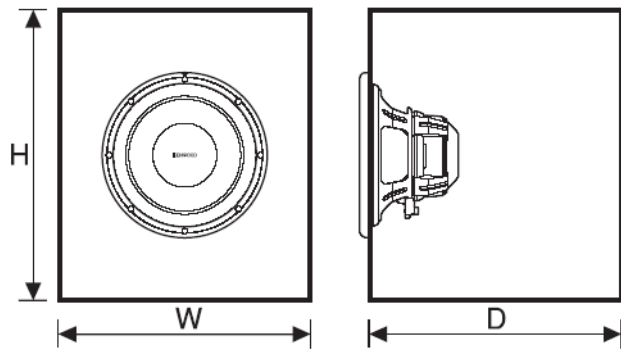


Technical specifications

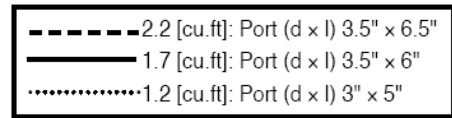
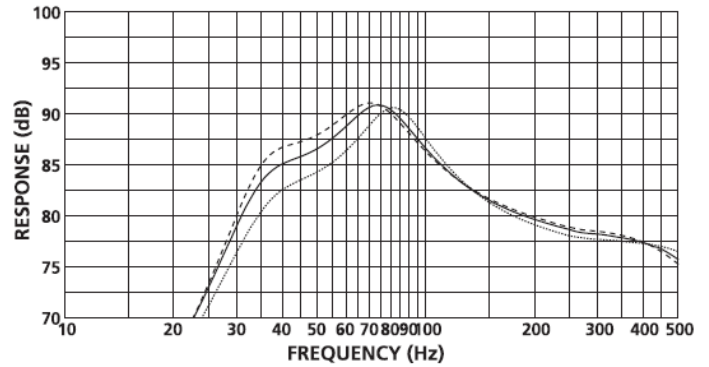
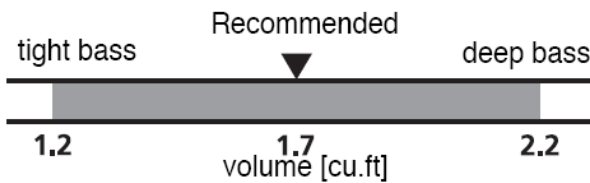
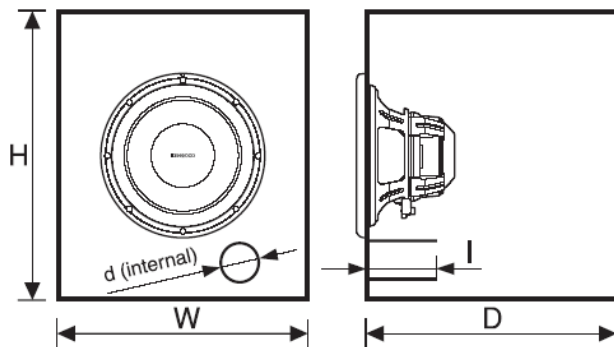
	SYMBOL	UNIT	VALUE
Nominal Impedance	Z	Ω	4 + 4
DC Resistance	Revc	Ω	3.25 + 3.25
Voice Coil Inductance	Levc	mH	4.09
Piston Area	Sd	sq.m	0.05
Force Factor	BL	T·m	18.55
Volume Acoustic Compliance	Vas	liter	35.43
		cu.ft	1.25
Moving Mass	Mms	g	161
Resonance Frequency	Fs	Hz	38.9
Mechanical Q Factor	Qms		3.68
Electrical Q Factor	Qes		0.36
Total Q Factor	Qts		0.32
Peak Power		W	1,500
Peak Excursion	Xmax	mm	14
Displacement		cc	5,865
		cu.ft	0.21
Mounting Depth		mm (in.)	172 (6-3/4)
Weight of Magnet		g (oz)	1,200(42.3)
Voice Coil Diameter		mm (in.)	65(2-9/16)

Recommended Enclosures

SEALED



PORTED



Recommended Enclosures

*W, H, D.....External Dimensions

Model Name	Volume	W	H	D	Mounting Hole	Port Diameter d	Port Length l	Displacement
KFC-W3514DVC	1.2	375 (14-3/4)	362 (14-1/4)	360 (14-3/16)	282 (11-1/8)	Sealed	Sealed	0.2
	1.7	460 (18-1/8)	410 (16-1/8)	357 (14-1/16)		89 (3-1/2)	152 (6)	
(unit)	cu.ft	mm (in.)						cu.ft

Use 21 mm (3/4 inch) thick Medium Density Fiberboard (MDF) or High Density Particleboard.